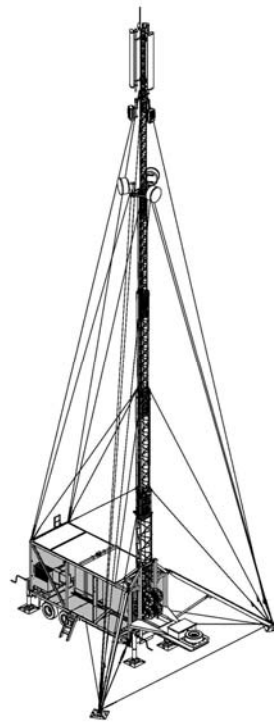
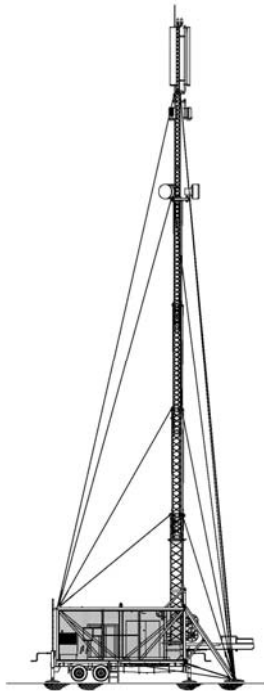




wireless | communications

JAGGARD

Rapid Deployment Trailers(RDT's)/ Mobile Communication Units (MCU's)



Jaggard Wireless Communications LLC

PO Box 71684

Dubai, UAE

Tel: +9714 (0) 343 1118

Fax: +9714 (0) 343 1050

Email: info@jaggard.ae

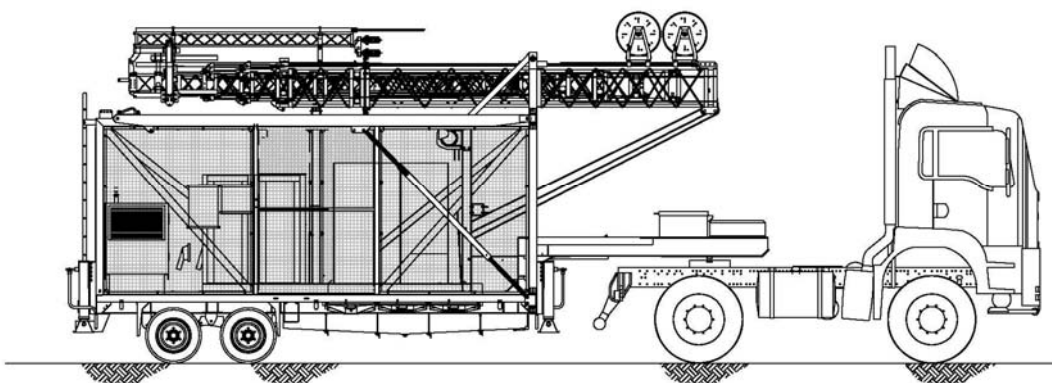
Web: www.jaggard.ae

Jaggard's product line of rapid-deployment solutions includes our trailer-based mobile units. Commonly referred to as 'Rapid Deployment Trailers' (RDT's) or 'Mobile Communication Units' (MCU's) these units are designed to offer the customer a versatile product that is re-deployable when and where it is required the most.

Product Benefits

Offering a complete self-contained mobile solution for Cellular Service Providers and Broadcast applications alike the MCU can be rapidly deployed with minimum personnel and can be fully operational within hours of arrival at site. The fundamental purpose of this advanced product is to give coverage where not normally available or to temporarily boost capacity.

- Rapid deployment and site commissioning.
- Superb mobility and flexibility enabling greater access to hard to reach sites.
- Self-contained solutions require little or no site preparation.
- Re-usable – the units can be redeployed time and again making them an economical solution.



Product Description

Based around the concept of a trailer-mounted telescopic mast system our RDT's come in various configurations with optional accessory loading to best suit the customer's requirements.

- **Mast System**

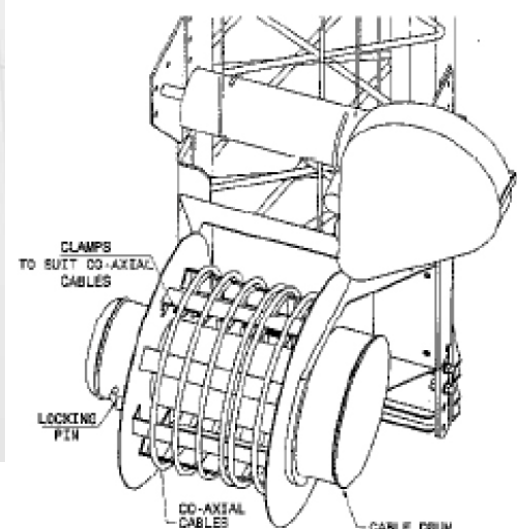
The telescopic mast comprises interlocking steel lattice panels and an integrated winch kit with mechanical wire rope for mast elevation and retraction. The mast is of steel tubular leg and lattice rod bracing construction fabricated from welded structural steel and hot-dipped galvanized to BSEN 1461 or equivalent.

The mast is guyed either to the trailer structure itself or concrete stay blocks depending upon the trailer configuration (long or short wheel based).

Mast sizes and subsequent antenna loading will vary depending on individual requirements.

- **Cable Management**

The system comprises a spring-loaded cable drum mounted to the base of the mast. An integrated cable clamping system within the mast allows free running of feeders during mast elevation and retraction.



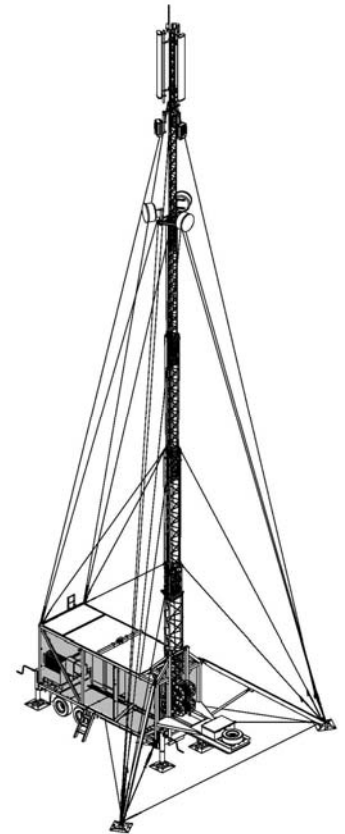
- **Trailer Configurations**

Long Wheel Based

Based around a goose-neck configuration these units are designed to be towed by tractor/ truck units. Bed sizes are variable according to the client's requirement and can be configured to best suit environmental and project requirements.

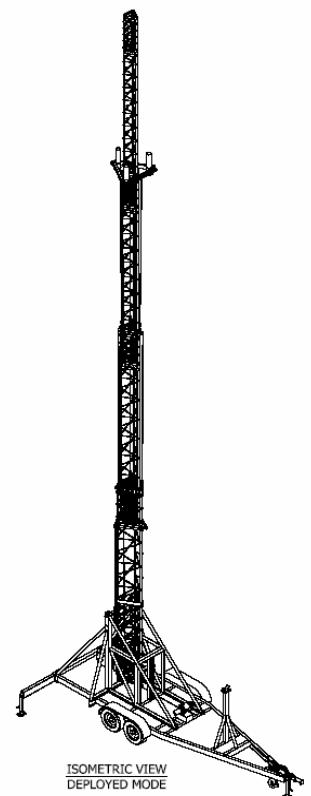
These larger units benefit from their ability to house generator/power units and cellular/broadcast equipment.

Mast guying for long wheel based trailers is to the trailer structure itself and as such is fully self contained.



Short Wheel Based

Designed to be towed by light commercial vehicles (LCV's) are an extremely mobile and manoeuvrable mast system.



Accessories and Options

Depending upon the client's requirements unit design, options and accessories can vary greatly. As such we would encourage interested parties to contact us to discuss their requirements

Accessories can include (but are not limited to)

Fitted Equipment shelters
Generator sets/Power Systems
Antennas
Feeder Cables
Electrical Fit-out
Fire Extinguishers
Tool-kits

Jaggard Wireless Communications are also able to provide maintenance and service programs as well as deployment services.

Jaggard Wireless Communications LLC

**PO Box 71684
Dubai, UAE**

Tel: +9714 (0) 343 1118

Fax: +9714 (0) 343 1050

Email: info@jaggard.ae

Web: www.jaggard.ae